



ALLEGION™

Briton

Commercial locks & cylinders

Product overview



Flexibility and simplicity offered by mortice cylinder locks

For most doors, particularly internal doors, a Briton mechanical lock case represents the most effective and direct means of providing privacy and security for commercial applications.

All Briton lock cases have Grade 3 category of use and can be used on internal and external doors.

- Modular dimensions across a range of functions allows for factory preparation of doors and frames
- Allows simple replacement of the cylinder if keys are lost or stolen to quickly reinstate security
- Cylinders available in various functions to fine tune the operating characteristics of the lock
- Cylinders available allow sophisticated multi-level masterkeying for access control
- Modular dimensions allow for lock interchangeability to upgrade security

Escape functions

Where locks are incorporated in doors which are on an escape route in an office suite for example, lock cases should be certified to EN 179 for emergency exit use. Such locks can be operated by a single action on the lever in the direction of the escape route which will withdraw the latchbolt and the deadbolt simultaneously to give immediate escape.



CE marked to EN 12209

Physical characteristics of type, operation and performance of lock cases is tested/assessed in accordance with EN 12209. This produces an 11 digit classification code which describes its type and grading according to various test criteria. The table below gives an outline of the classification and the performance of a typical example.

| | | Example |
|-----------------|--|--|
| 3 1-3 | Digit 1 - Category of use Three grades are identified Grades 1 - 3 | Grade 3 - High frequency of use by public or others with little incentive to take care and with a high chance of misuse - eg. public doors |
| X A-X | Digit 2 - Durability Twelve grades are identified Grades A - X | Grade X - 200,00 test cycles with 120N side load on latch bolt |
| 8 1-7 | Digit 3 - Door mass and closing force Nine grades are identified Grades 1 - 9 | Grade 8 - Up to 200kg door mass, 15N maximum closing force. |
| 1 0/1 | Digit 4 - Suitability for fire/smoke doors Two grades are identified Grades 0 - 1 | Grade 1 - Suitable for use on fire/smoke resisting assemblies subject to satisfactory fire testing or assessment |
| 0 0 | Digit 5 - Safety Only Grade 0 is identified | Grade 0 - No safety requirement |
| G 0-G | Digit 6 - Corrosion resistance Eight grades are identified to EN 1670 Grades 0 - G | Grade G - Very high corrosion resistance 240 hours salt spray at -20 °C to +80 °C |
| 4 1-7 | Digit 7 - Security and drill resistance Seven grades are identified Grades 1 - 7 | Grade 4 - High security and no drill resistance |
| B A-R | Digit 8 - Field of door application Eight categories are identified to EN 1670 Grades 0 - G | Category A - Mortice type with unrestricted application |
| A A-R | Digit 9 - Type of key operation Nine types are identified Type 0 - H | Type A - Cylinder lock or latch, manual locking |
| 2 0-4 | Digit 10 - Type of spindle operation Five types are identified Grades 0 - 4 | Type 2 - Lock or latch for unsprung lever handle operation |
| 0 0-H | Digit 11 - Key identification requirement Nine categories are identified Grades 0 - H | Category 0 - No requirement for key identification |

Euro profile cylinder lockcases to EN 12209, EN 179 and CE marked

The Briton range of European profile cylinder mortice lockcases incorporates the Briton 5600 Series, Briton 5500 Series and Briton 5400 Series. Each lock series is built on the same dimensional platform which enables not only substitution of lock functions within each series but full interchangeability between lock series.

All 3 lockcase series are available with rounded or square forends and strikes to suit the manufacturing and factory preparation of timber or metal doors.

All 3 lockcase series are compatible with the Briton 75-29 cylinder range or any of the CISA cylinder ranges.

Square forend



Briton 5600 Series



Radius forend



Briton 5500 Series



Radius forend



Briton 5400 Series



Briton cylinder lockcases - Summary



| Feature | Briton 5600 Series | Briton 5500 Series | Briton 5400 Series |
|---|--------------------|--------------------|--------------------|
| Dimensional co-ordination to DIN18251 | ■ | ■ | ■ |
| CE marked | ■ | ■ | ■ |
| Fully compliant with EN12209 | ■ | ■ | ■ |
| Fully compliant with EN179 | ■ * | ■ * | |
| Single throw bolt action | ■ | ■ | |
| Double throw bolt action | | | ■ |
| Fire tested to EN1634 for timber doors | 90 mins | 90 mins | 90 mins |
| Fire tested to EN1634 for steel doors | 4 hours | 4 hours | 4 hours |
| Certifire approved | | ■ | ■ |
| Guarantee | 10 years | 10 years | 5 years |
| Lock Functions | | | |
| Deadlock | | ■ | ■ |
| Sashlock | | ■ | ■ |
| Bathroom lock | | ■ | ■ |
| Bathroom deadbolt | | ■ | |
| Latch | | ■ | ■ |
| Nightlatch with hold-back | | ■ | |
| Nightlatch without hold-back | | ■ | |
| Nightlatch with anti-thrust | ■ | | |
| Escape sashlock - non split follower | | ■ | |
| Escape sashlock - split follower function | ■ | | |

* applies to specific lock functions only

Dimensionally co-ordinated lockcases

Features & Benefits

- Zinc plated steel case has exceptional corrosion resistance.
- Stainless steel single piece forend available radiused or square ended with matching strike.
- Quick reversible latch allows quick and trouble free on-site handing without the need to dismantle the lockcase.
- Profiled latch and forend provides very positive location and a smooth, quiet operation.
- Stainless steel latch for corrosion resistance.
- Hardened steel drill resistant deadbolt.
- Phosphor bronze follower bushes for reduced wear.
- Sintered steel 8mm follower.
- 30° follower action with springing suitable for high frequency applications.
- Positive follower angle (1°) reduces the effect of wear which can lead to lever droop.
- Stainless steel deadbolt with 20mm throw on a single turn of the cylinder.
- Bolt through fixing holes to DIN 18251 making the lock compatible with most European hardware ranges.
- Nightlatch has anti-thrust latch to prevent forced latch retraction when the door is closed.



Briton 5660 cylinder panic escape lock

Conforms to European Standards EN 12209 and EN 179 and carries the CE mark.



Briton 5600 Series - Lockcase options



Briton 5650 Nightlatch

Nightlatch function operated by a half set of levers on the inside of the door to retract the latchbolt. Single cylinder on the outside operates the latchbolt with a single key turn.

Anti-thrust latch function to prevent forced latchbolt retraction.



Briton 5660 Escape Sashlock

Latchbolt withdrawn by lever handle from both sides. Split follower function enables both the deadbolt and latchbolt to be withdrawn simultaneously by inside lever handle. Easily reversible escape mechanism.

Split spindle supplied as standard.

| Product ref. | Function | Forend | Backset | Centres | CE Classification |
|--------------|---------------------------------|----------|---------|---------|--|
| 5650.60.R | Nightlatch | Radiused | 60mm | 72mm | 3X810F1BB20 |
| 5660.60.R | Escape lock with split follower | Radiused | 60mm | 72mm | 3X810F3BA20 (EN 12209) 376B1442AB/D (EN179) |
| 5650.60.S | Nightlatch | Square | 60mm | 72mm | 3X810F1BB20 |
| 5660.60.S | Escape lock with split follower | Square | 60mm | 72mm | 3X810F3BA20 (EN 12209) 376B1442AB/D (EN179) |

Radiused and square forends are supplied with matching strikes.

Features & Benefits

- Black powder coated steel case gives exceptional corrosion resistance.
- Grade 316 stainless steel forend provides improved fire resistance. Single piece round ended forend simplifies preparation of doors. Optional square ended forend is also available.
- Quick reversible latch allowing quick and trouble free on-site handing without the need to dismantle the lockcase.
- Profiled latch and forend provides very positive location and a smooth, quiet operation.
- Chrome plated steel for corrosion resistance.
- Cast follower with phosphor bronze bushes reduces wear of follower during extended use.
- 8mm follower is designed to grip the spindle to eliminate unwanted tolerance between components.
- 30° follower action for firm positive opening and with follower springing suitable for high frequency applications.
- Positive follower angle (1°) reduces the effect of wear which can lead to lever droop.
- Drill resistant heavy duty hardened deadbolt with 22mm throw on a single turn of the cylinder to ensure maximum security every time.
- Chrome plated steel for corrosion resistance.
- Sashlock has a cylinder to latch function; latch and deadbolt can be withdrawn by cylinder key or thumbturn.
- Bolt through fixing holes to DIN 18251 making the lock compatible with most European hardware ranges.
- Sleeved holes assist in bolt location, provide added strength to the lockcase and help prevent mechanical failure due to ingress of foreign objects.
- Guided cylinder screw accurately aligns the fixing to the cylinder.
- Torx head screws maintain slimline aesthetics.



Briton 5520 Cylinder Sashlock

Conforms to European Standards EN 12209 and EN 179 and carries the CE mark.



Briton 5500 Series - Lockcase options



Briton 5510
Cylinder Deadlock

The deadbolt can be thrown and withdrawn from one side or from both as required depending on the cylinder selected.



Briton 5520
Cylinder Sashlock

Lever handles withdraw the latchbolt. The deadbolt can be thrown and withdrawn from one or both sides as required depending on the cylinder selected.

The cylinder to latch function enables the cylinder to withdraw the deadbolt on the first turn of the cylinder and the latchbolt on the second turn.



Briton 5530
Bathroom lock

Latchbolt operated by lever handle from both sides. The 10mm single throw deadbolt is operated from inside by thumbturn. From outside an indicator and emergency release operates via an 8mm spindle.



Briton 5535
Bathroom deadlock

The 10mm single throw deadbolt is operated from inside by thumbturn. From outside an indicator and emergency release operates via an 8mm spindle.

Briton 5500 Series - Lockcase options



Briton 5540

Latch

The lock can be operated by lever handle to withdraw the latchbolt from both sides.

No locking function.



Briton 5550 & 5555

Cylinder Nightlatches

Operated using a single lever on the inside to retract the latchbolt. A single cylinder operates from outside with a single turn of the key to retract the latchbolt.

5550 with latch hold-back facility on the lock forend (not CE marked).

5555 without hold-back function
CE marked to EN 12209



Briton 5560

Escape Sashlock

Deadbolt thrown and withdrawn from one or both sides depending on the cylinder selected. From inside a half set of levers withdraws deadbolt and latchbolt simultaneously. For EN 179 compliance the lock must be fitted with compatible lever furniture.

Cylinder to latch function enables the cylinder to withdraw the deadbolt on the first turn of the cylinder and the latchbolt on the second turn.

Note: The Briton 5560 escape sashlock does not incorporate a split follower function.

It should therefore only be used with either a single key operated cylinder from outside or by a double key operated cylinder from both sides.

Briton 5500 Series - Lockcase options



Briton 5520.60.R sashlock combined with Briton stainless steel lever furniture and CISA Astral cylinder.

| Product ref. | Function | Forend | Backset | Centres | CE Classification |
|--------------|---------------------------------------|----------|---------|---------|--|
| 5510.60.R | Deadlock | Radiused | 60mm | - | 3X810G4BA00 |
| 5520.60.R | Sashlock | Radiused | 60mm | 72mm | 3X810G4BA20 |
| 5530.60.R | Bathroom lock | Radiused | 60mm | 78mm | 3X810G-B020 |
| 5535.60.R | Bathroom deadbolt | Radiused | 60mm | - | 3X810G-B000 |
| 5540.60.R | Latch | Radiused | 60mm | - | 3X810G-B020 |
| 5550.60.R | Nightlatch - with hold-back | Radiused | 60mm | 72mm | not CE marked |
| 5555.60.R | Nightlatch - without hold-back | Radiused | 60mm | 72mm | 3X8100G-B020 |
| 5560.60.R | Escape sashlock | Radiused | 60mm | 72mm | 3X810F3BA20 (EN 12209) 376B1442AB/D (EN179) |
| 5510.60.S | Deadlock | Square | 60mm | - | 3X810G4BA00 |
| 5520.60.S | Sashlock | Square | 60mm | 72mm | 3X810G4BA20 |
| 5530.60.S | Bathroom lock | Square | 60mm | 78mm | 3X810G-B020 |
| 5535.60.S | Bathroom deadbolt | Square | 60mm | - | 3X810G-B000 |
| 5540.60.S | Latch | Square | 60mm | - | 3X810G-B020 |
| 5550.60.S | Nightlatch - with hold-back | Square | 60mm | 72mm | not CE marked |
| 5555.60.S | Nightlatch - without hold-back | Square | 60mm | 72mm | 3X8100G-B020 |
| 5560.60.S | Escape sashlock | Square | 60mm | 72mm | 3X810F3BA20 (EN 12209) 376B1442AB/D (EN179) |

Radiused and square forends are supplied with matching strikes.

Features & Benefits

- Silver powder coated case gives exceptional corrosion resistance.
- Single piece round ended forend in grade 304 stainless steel with satin finish, simplifies preparation of doors. Optional square ended forend is also available.
- Quick reversible latch allowing quick and trouble free on-site handing without the need to dismantle the lockcase.
- Profiled latch and forend provides positive location and operation.
- Satin nickel plated for corrosion resistance.
- Smooth action ball bearing follower for 8mm spindle provides smooth lever operation and reduces wear.
- 25° follower action for firm positive opening action and with follower springing suitable for high frequency applications.
- Positive follower angle (1°) reduces the effect of wear which can lead to lever droop.
- 20mm double throw bolt from 2 turns of the cylinder offers high levels of physical security on sashlock and deadlock variants.
- Satin nickel plated for corrosion resistance.
- Sashlock has a cylinder to latch function; latch and deadbolt can be withdrawn by cylinder key or thumbturn.
- Conforms to the dimensional characteristics of DIN 18251 with follower to cylinder centres at 72mm (78mm for bathroom lock).
The case is pierced to accept bolt through fixings at 38mm (up to 41mm) centres at the follower and the cylinder position.
- Guided cylinder screw accurately aligns the fixing to the cylinder.



Conforms to European Standard
EN 12209 and carries the CE mark.



Briton 5400 Series - Lockcase options



Briton 5410

Cylinder Deadlock

The deadbolt can be thrown and withdrawn from one side or from both as required depending on the cylinder selected.



Briton 5420

Cylinder Sashlock

Lever handles withdraw the latchbolt. The deadbolt can be thrown and withdrawn from one or both sides as required depending on the cylinder selected.

Cylinder to latch function will withdraw the deadbolt on the first turn of the cylinder and the latchbolt on the second turn.



Briton 5430

Bathroom lock

Latchbolt operated by lever handle from both sides. Single throw deadbolt is operated from inside by thumbturn - indicator and emergency release outside.



Briton 5540

Latch

The lock can be operated by lever handle to withdraw the latchbolt from both sides. No locking function.

| Product ref. | Function | Forend | Backset | Centres | CE Classification |
|--------------|---------------|----------|---------|---------|-------------------|
| 5410.60.R | Deadlock | Radiused | 60mm | - | 3H810F2BC00 |
| 5420.60.R | Sashlock | Radiused | 60mm | 72mm | 3H810F2BC20 |
| 5430.60.R | Bathroom lock | Radiused | 60mm | 78mm | 3H810F-B020 |
| 5440.60.R | Latch | Radiused | 60mm | - | 3H810F-B000 |
| 5410.60.S | Deadlock | Square | 60mm | - | 3H810F2BC00 |
| 5420.60.S | Sashlock | Square | 60mm | 72mm | 3H810F2BC20 |
| 5430.60.S | Bathroom lock | Square | 60mm | 78mm | 3H810F-B020 |
| 5440.60.S | Latch | Square | 60mm | - | 3H810F-B000 |

Radiused and square forends are supplied with matching strikes.

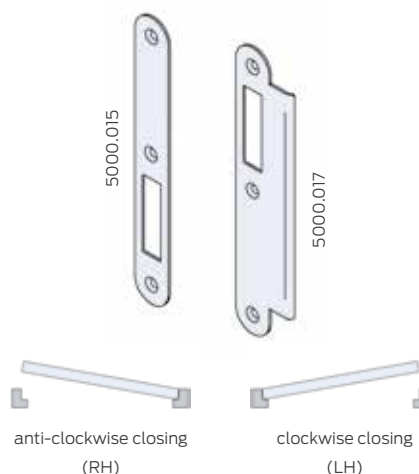
Briton 5600, 5500 & 5400 Series accessories

Full round & full square strike plates

Grade 316 (5500 Series) or grade 304 (5600 & 5400 Series) stainless steel strike plates to replace or use instead of the standard strike plates for common door preparation. Latch strikes are supplied for RH or LH applications.

Each pack contains

- 1 x full round or square strike plate to suit
- 1 x screw pack



| Product Ref: | Forend type | Suits locks | Finish |
|--------------|-------------|------------------------|---------------|
| 5000.009 | Round | 5520; 5420 | SS; PS or PB* |
| 5000.010 | Square | 5520; 5420 | |
| 5000.011 | Round | 5540; 5440 | |
| 5000.012 | Square | 5540; 5440 | |
| 5000.013 | Round | 5510; 5410 | |
| 5000.014 | Square | 5510; 5410 | |
| 5000.015 | Round | 5510; 5535; 5410 | |
| 5000.016 | Square | 5510; 5535; 5410 | |
| 5000.017 | Round / RH | 5650; 5540; 5550; 5440 | |
| 5000.018 | Square / RH | 5650; 5540; 5550; 5440 | |
| 5000.019 | Round / LH | 5650; 5540; 5550; 5440 | |
| 5000.020 | Square / LH | 5650; 5540; 5550; 5440 | |

* for 5500 Series only

Intumescent packs

When fitted to timber fire doors, the lockcase must be fitted in conjunction with an intumescent protection pack to ensure the integrity of the door is maintained in a fire situation.

Because of the dimensional co-ordination of the Briton 5600, 5500 and 5400 Series lockcases, a universal intumescent pack is available which is suitable for all versions and all functions.

| Product Ref: | Forend type | Suits locks | Finish |
|--------------|-----------------|---------------------------------|--------|
| 5500.IP | Round or Square | All 5600, 55500 and 5400 Series | n/a |

Briton 5600, 5500 & 5400 Series accessories

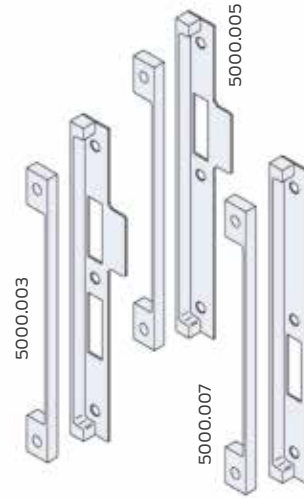
Rebate kits

Silver anodised aluminium square rebate kits with grade 316 stainless steel strike plates. Replaces the standard strike plate supplied with the lockcase.

NB: Suits locks with square ended forends only.

Each kit contains

- 1 x aluminium rebate strike assembly (including square stainless steel strike plate)
- 1 x aluminium rebate lock packer
- 1 x screw pack



| Lockcase | 13mm rebate | 25mm rebate | Finish |
|------------------------------------|-------------|-------------|---------------|
| 5660; 5520; 5530; 5560; 5420; 5430 | 5000.003 | 5000.004 | SS; PS or PB* |
| 5650; 5540; 5550; 5555; 5440 | 5000.005 | 5000.006 | |
| 5510; 5410 | 5000.007 | 5000.008 | |

* available for 5500 Series only

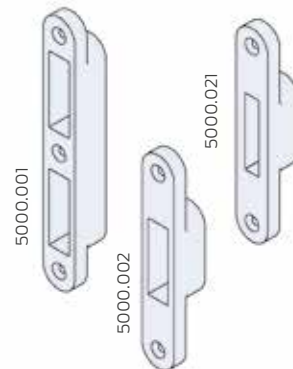
Heavy duty box strikes

Solid zinc alloy strike boxes with durable black powder coated finish. Used in conjunction with the standard strike plate supplied with the lockcase.

Suits locks with round and square ended forends.

Each pack contains

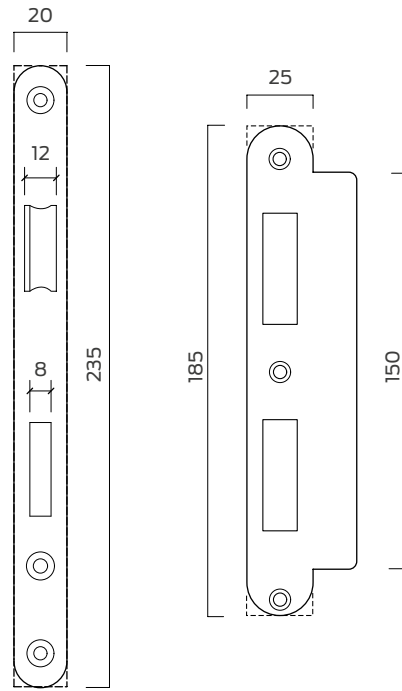
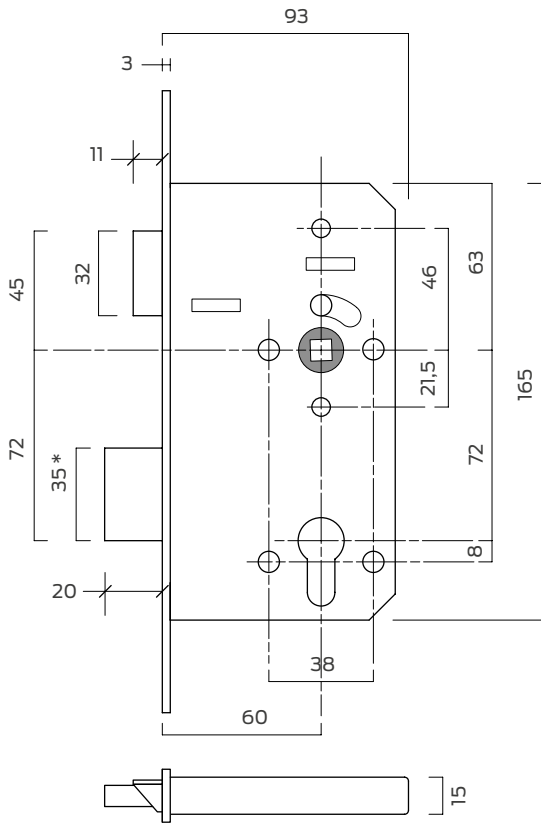
- 1 x strike box
- 1 x screw pack



| Product Ref: | Lock type | Suits locks | Finish |
|--------------|--------------|------------------------------------|---------------------|
| 5000.00 | Latch & bolt | 5660; 5520; 5530; 5560; 5420; 5430 | Black powder coated |
| 5000.002 | Latch only | 5650; 5540; 5550; 5555; 5440 | |
| 5000.021 | Bolt only | 5510; 5535; 5410 | |
| 5000.022 | Sashlock | 5520; 5560; 5420 | |
| 5000.023 | Deadlock | 5510, 5410 | |

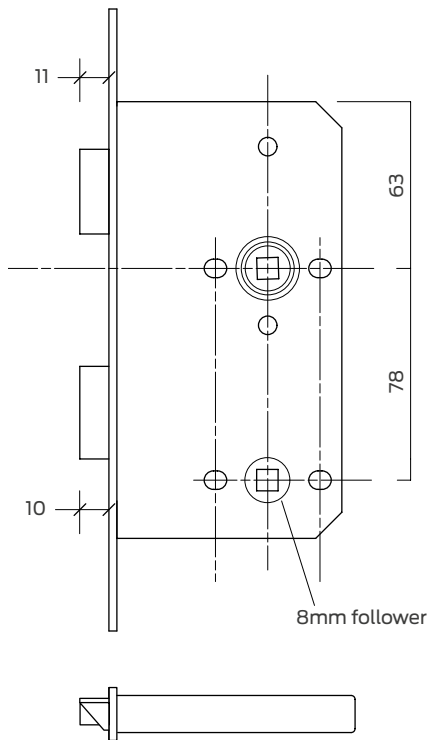
Briton 5600, 5500 & 5400 Series - Lockcase dimensions

Universal dimensions for all locks unless shown otherwise

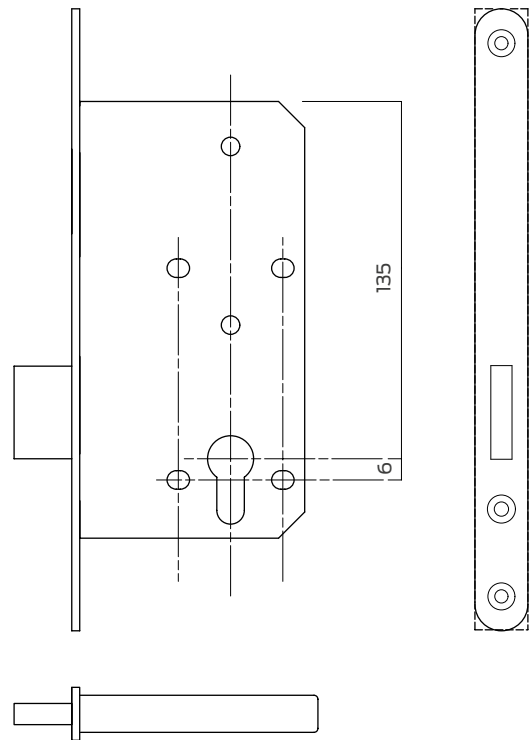


* Bolt dimensions 36mm for 5600 Series

5530/5430 Bathroom lock

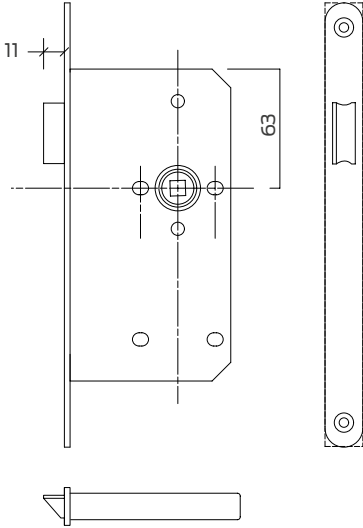


5510/5410 Deadlock

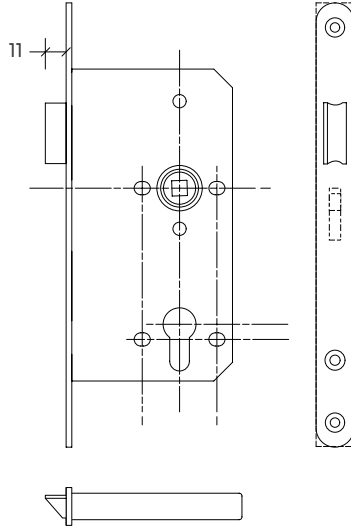


Briton 5600, 5500 & 5400 Series - Lockcase dimensions

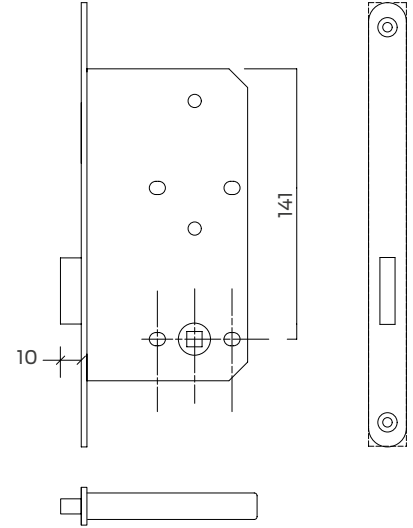
5540/5440 Latch



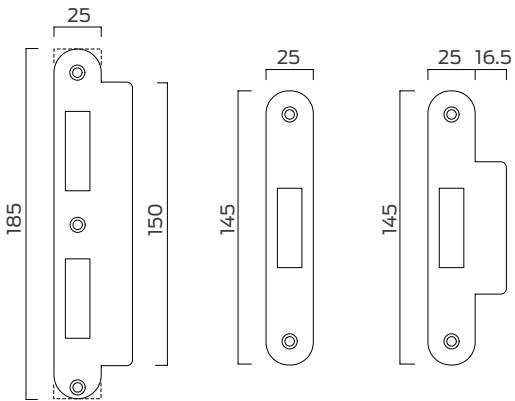
5650/5550/5555 Nightlatch



5535 Bathroom deadlock



Strike plates



Sashlock
Bathroom lock
Escape sashlock

Deadlocks

Latch
Nightlatch

Flexibility of performance by matching cylinders to lockcases

Combining cylinders with lock cases

The operating characteristics of each Briton lock case can be adapted by the selection of the cylinder.

A single cylinder will, for example, provide key operation only from one side of the door. Whilst this might be suitable for a small store room in conjunction with a deadlock, it could result in a person being locked in. A cylinder with thumbturn however would provide a means of unlocking or locking a door from inside for convenience and privacy. In some cases, in a secure facility for example, such a feature may not be advantageous. When selecting the locking solution therefore it is important to consider the combined effect of the lock case and the cylinder.



Masterkeying and other functions

The Briton and CISA cylinder ranges are designed to provide solutions to the varied requirements of the building and its occupants. These requirements can be a combination of safety, security and convenience - features which can be selected to suit the application.



A guide to selecting the right cylinder in the right place



Selecting the right cylinder system

In selecting the most appropriate cylinder system for any given application, a few simple factors should be considered:

- The need for physical security from forced entry.
- The balance between the convenience of getting duplicate keys cut and the security of strict key control whereby keys can only be obtained from the manufacturer under a letter of authority.
- The size of the system and the need for complex masterkeying capabilities.

EN 1303:2005

The performance of cylinders is governed by the European standard EN 1303 which tests and assesses cylinders most importantly on:

- Durability.
- Key Related Security.
- Attack Resistance.
- Fire resistance to EN 1634-1.

Addressing physical security

An intruder seeking to break open a door will in most cases choose to “attack” the lock cylinder using the tools of the trade: drills, pliers, lock picks and other lock-forcing tools.

Methods of protecting against forced entry are ‘defensive’ features of passive security.

1 - Push resistance

A projecting cam on the cylinder can prevent it from being forced out of the lockcase by a hammer blow.

2. - Drill resistance

The incorporation of steel pins within the cylinder are designed to resist or delay attacks from drilling.

3. - Pick resistance

Special pin configurations can resist the manipulation of the pins in an attempt to simulate the key.

4. - Snap resistance

The inclusion of hardened steel laminates within the body of the cylinder can prevent violent twisting and snapping of the cylinder.

5. - Bump resistance

Bumping of cylinders is becoming more of an issue throughout Europe, particularly as there is no sign of forcible entry for homeowners to claim on insurance.

Briton and CISA cylinder ranges



Active 'intelligent' security

Who hasn't ever lost their house keys, or temporarily left them with someone who could have made a copy?

Active security is 'intelligent' precisely because it anticipates this type of problem, with solutions that enhance the security of the cylinder and prevent unauthorised duplication of the key.

Patent protection

Since copyright protection on keys was abolished in 1999, it is now possible for anybody to produce and sell most types of keys. The only systems that can truly protect against illegal keyblank duplications are patented key systems. Manufacturers are able to take legal action against any authorized third parties who distribute copies of patented keys without permission.

Security Card

Offers a high level of service personalisation, giving further protection to the end user. The CISA authorised duplication system is the perfect solution for ensuring that keys can only be duplicated with the owner's consent on production of the security card.



Anti-barricade function

In some circumstances, such as secure institutions, care homes and psychiatric facilities it is desirable to prevent the inside thumbturn being used to forcibly hold the deadbolt in the locked position. A clutch mechanism within the cylinder isolates the thumbturn from the keyway so that in an emergency the key will override the thumbturn if it is being held.

Classroom function

If a teacher needs to leave a room full of pupils for a short while, they can lock the door from the outside to prevent unauthorised personnel from entering whilst being reassured the door can always be opened from the inside, even when locked. The cylinder can never be locked by the thumbturn from the inside.

Construction Keying

During the construction process, keys can easily become lost or stolen which can lead to loss of security. If Construction Keying is specified the building contractor will be issued with specific contractors keys for each of the cylinders. At the point of 'hand-over' the building owner/occupier inserts the proper 'system' keys into each cylinder and in the process renders the contractors keys inoperative.

Masterkeying

Masterkeying is the organisation of a keyed locking system where a hierarchy of access is produced. As the level of authority rises, so the ability to access cylinders in the system increases until access to all the cylinders in a system is available to a single Grand Masterkey.

Briton 75-29 Series with patent protection to 2029

Features and benefits

- Key profile with patented technology which prevents unauthorised key duplication to 2029.
- Key blanks carry a lifetime warranty.
- 'Through-cut' technology utilises a unique process to produce the patented undercut key design.
- 6 pin tumbler system with additional 'check pin' for extra security.
- Raised plug with unique slotted face for improved aesthetics.
- Plug finish matches the cylinder body which is available in satin nickel, polished chrome and polished brass finishes to match most quality hardware ranges.
- Full range of euro profile and oval profile cylinders in symmetrical and offset lengths.
- Thumbturn design provides an easy grip and is compatible with most hardware designs.
- Multi-function options including classroom function.
- Backwards compatible with Briton 7500 Series.

Patented system

In addition to the 6 conventional cylinder pins, the Briton 75-29 Series incorporates a unique 'check pin' with a small hook on its tip. The tip of the pin corresponds to the special undercut on the key profile. Only with the correct key inserted is the 'check pin' lifted clear and the cylinder is free to rotate.



CE Classification

Briton 75-29 Series cylinders are fully tested to EN 1303:2005 and have the following classification.

| EN1303:2005 | Category of use | Durability | Door mass | Fire resistance | Safety | Corrosion resistance | Key related security | Attack resistance |
|--------------|-----------------|------------|-----------|-----------------|--------|----------------------|----------------------|-------------------|
| Briton 75-29 | 1 | 6 | 0 | 0 | 0 | C | 5 | 2* |

* when used with security escutcheon

CISA multi-level solutions integrated into a single system



TS007:2012
Licence KM532990

CISA offers a wide range of cylinders from basic security with good masterkeying capability, which are ideal for residential homes and commercial offices through to high security cylinders with a large capacity masterkey system, which are prominent on high profile buildings such as banks, high security laboratories and airports.

The Astral Series comprises 3 individual cylinder ranges which are fully compatible with each other and can be incorporated into the same masterkey system if required.



Astral and Astral S double cylinders showing the laminated snap-resistant core on the Astral S, a physical and visual deterrent to attack.

Features and benefits

- Patented system (Astral Tekno) to 2026.
- Kitemarked to TS0071 Star (Astral S).
- 10 pin key biting system.
- BKP bump resistant device (Astral S / Tekno).
- Snap resistant laminated core (Astral S).
- DIN standard sintered steel cam.
- Multi-function options including classroom and construction keying functions.
- Security code card required for key duplication.
- Full range of euro profile cylinders in symmetrical and offset cylinder lengths.
- Thumbturn design provides an easy grip and is compatible with most hardware designs.



CE Classification

CISA Astral Series cylinders are fully tested to EN 1303:2005 and have the following classification.

| EN1303:2005 | Category of use | Durability | Door mass | Fire resistance | Safety | Corrosion resistance | Key related security | Attack resistance |
|--------------|-----------------|------------|-----------|-----------------|--------|----------------------|----------------------|-------------------|
| Astral Tekno | 1 | 6 | 0 | 1 | 0 | C | 6 | 0 |
| Astral S | 1 | 6 | 0 | 1 | 0 | C | 6 | 2* |
| Astral | 1 | 6 | 0 | 1 | 0 | C | 6 | 0 |

* drilling and torque resistance

Briton & CISA cylinder selector



| Features and options | Briton 75-29 | Astral Tekno |
|--|-------------------------------------|-------------------------------------|
| No. of pins | 6 + check pin | 2 row 10 pin |
| Push resistant projecting cam | ■ | ■ |
| Anti-pick pins | ■ | ■ |
| Anti-drill | ■ | ■ |
| Bump resistant | | ■ |
| Snap resistant | | |
| Patent protection | up to 2029 | up to 2026 |
| Protected key duplication | ■ | ■ |
| Code card required for key duplication | | ■ |
| No. of differs | | 1.6 million |
| Masterkeying capacity | | up to 63,000 keys |
| Finishes | Satin nickel plated, polished brass | Satin nickel plated, polished brass |
| EN 1303:2005 Classification | 1 6 0 0 0 C 5 2 | 1 6 0 1 0 C 6 0 |
| Kitemarked TS007:2012 | | |
| Anti-barricade function | □ | □ |
| Classroom function | | |
| Construction keying function | | |

Briton & CISA cylinder selector



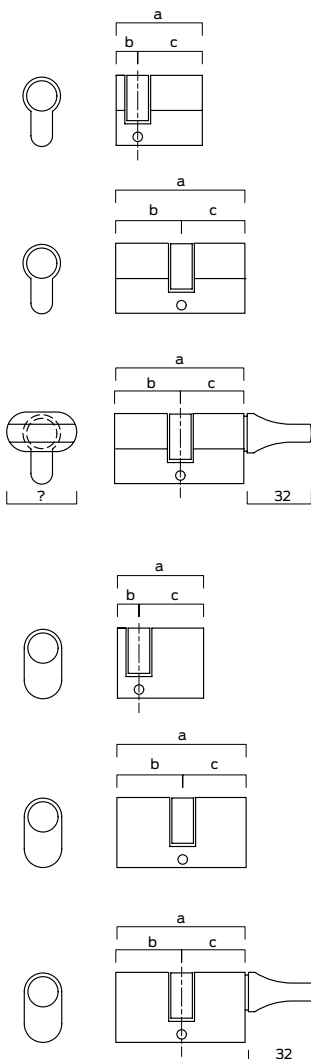
| Astral S | Astral | Features and options |
|----------------------------------|----------------------------------|--|
| 10 pin | 10 pin | No. of pins |
| ■ | ■ | Push resistant projecting cam |
| ■ | ■ | Anti-pick pins |
| ■ | ■ | Anti-drill |
| ■ | | Bump resistant |
| ■ | | Snap resistant |
| | | Patent protection |
| ■ | ■ | Protected key duplication |
| ■ | ■ | Code card required for key duplication |
| 1.6 million | 1.6 million | No. of differs |
| up to 63,000 keys | up to 63,000 keys | Masterkeying capacity |
| Satin nickel plated, satin brass | Satin nickel plated, satin brass | Finishes |
| 16 010 C 6 2 | 16 010 C 6 0 | EN 1303:2005 Classification |
| ■ | | Kitemarked TS007:2012 |
| □ | □ | Anti-barricade function |
| | | Classroom function |
| | | Construction keying function |

Briton and CISA cylinders - Other cylinders

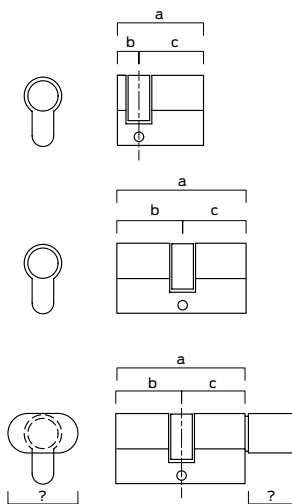
| Cylinder type | Dimensions a (b/c) | Briton 75-29 | Astral Tekno | Astral S | Astral |
|--------------------------------|-----------------------|---|--------------|----------|--------|
| Oval profile single | 40 (30/10) | PXT45-K-OS40 | | | |
| | 45 (35/10) | PXT45-K-OS45 | | | |
| Oval profile double | 60 (30/30) | PXT45-K-OD60 | | | |
| | 70 (35/35) | PXT45-K-OD70 | | | |
| | 80 (40/40) | PXT45-K-OD80 | | | |
| Oval profile cylinder and turn | 60 (30/30) | PXT45-K-OST60 | | | |
| | 70 (35/35) | PXT45-K-OST70 | | | |
| | 80 (40/40) | PXT45-K-OST80 | | | |
| Rim cylinder | as drawing | PXT45-K-RC | | | |
| Cam lock | as drawing | PXT45-K-CL | | | |
| Rim mortice cylinder | as drawing | PXT45-K-RM | | | |
| Cylinder pull | 91.5 x 43mm | Cylinder pull with aperture for euro profile cylinder. Supplied with stainless steel face fixings | | | |

When ordering cylinders in polished brass please add suffix B - e.g. PXT45-K-EST60B

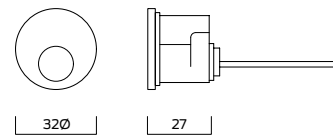
Briton Euro profile and Oval profile cylinders



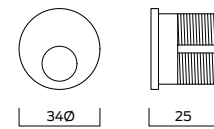
CISA Euro profile cylinders



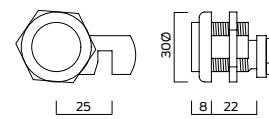
Rim cylinder



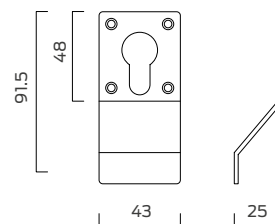
Rim mortice cylinder



Cam lock



4733 Cylinder pull



Briton and CISA cylinders - Cylinder lengths and Masterkeying

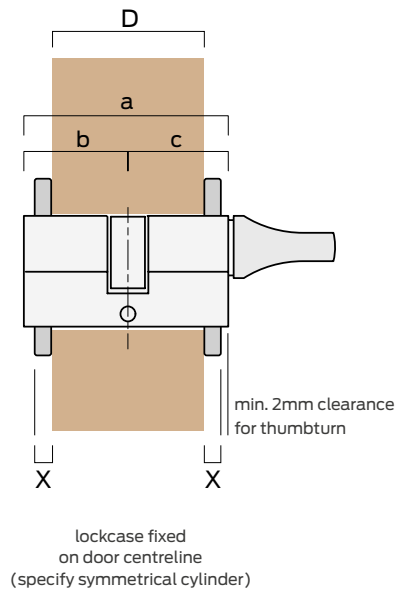
Cylinder lengths

Selecting the correct length of cylinder (euro profile and oval profile) is important not only visually, but to increase security from forcibly twisting the cylinder with a wrench.

The overall length of the cylinder should be just larger than the combined thickness of the door (D) and the backplates or escutcheons which are being used (X).

Note, when a thumbturn is being used a minimum 2mm clearance is recommended from the face of the cylinder to the face of the escutcheon or backplate.

When the lock is fitted offcentre in the door thickness, an offset cylinder is required. In these cases each side of the cylinder needs to be calculated independently.



Creating a masterkeyed system

The term masterkeying refers to any organisation of a keyed locking system where one key is required to operate several individual locks, each of which has its own operating key.

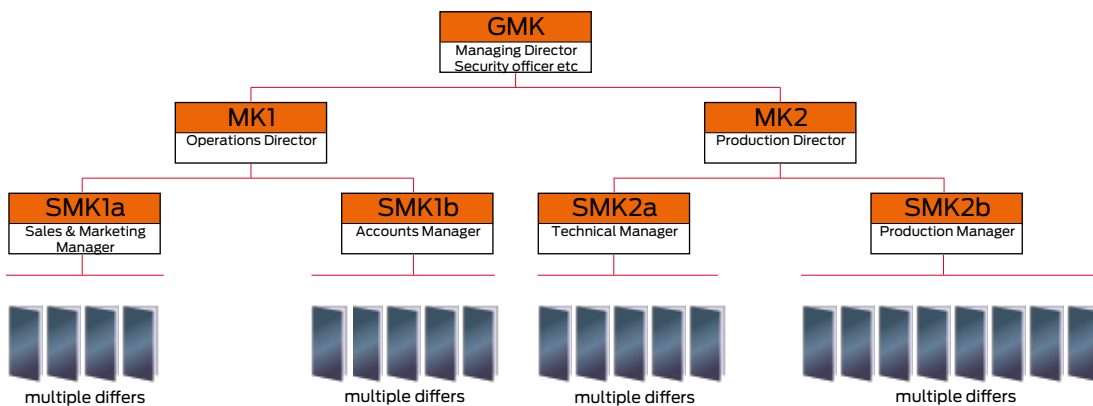
The masterkey system can vary in complexity depending on its application and can involve one or many levels of master key. The Briton and CISA cylinder ranges are capable of producing masterkeyed system ranging from the very simple through to very large complex requirements. The design of the system may need to take into account the requirement for additional keys and/or cylinders at a later date.

Example 1

An apartment block can be set up so that each occupant has a key which passes the main entrance door and their own apartment door. Other communal areas such as bin stores and laundry can be organised onto the same key if required.

Example 2 (see diagram below)

A more complex example could be a commercial application where individual departments might be controlled by sub master keys, with levels above them of master keys and grand master keys held, for example, by the security officer, the managing director and the company secretary.



| | | | |
|----------|---------|---|--|
| Cl/Sfb | (31.59) | X | |
| Uniclass | L4181 | | |

August 2015

About Allegion

Allegion (NYSE: ALLE) is a global pioneer in safety and security, with leading brands like CISA®, Interflex®, LCN®, Schlage® and Von Duprin®. Focusing on security around the door and adjacent areas, Allegion produces a range of solutions for homes, businesses, schools and other institutions. Allegion is a \$2 billion company, with products sold in almost 130 countries.

For more, visit allegion.co.uk



Allegion (UK) Limited

35 Rocky Lane
Birmingham
West Midlands
B6 5RQ

Tel: +44 (0) 121 3802400

Email: contactuk@allegion.com

Web: allegion.com/uk

Allegion International AG (Dubai Branch)

17th Floor, U-Bora Towers
Business Bay
P.O Box 390641 Dubai
UAE

Tel: +971 4 818 8999

Email: mea@allegion.com

Web: allegion.com

